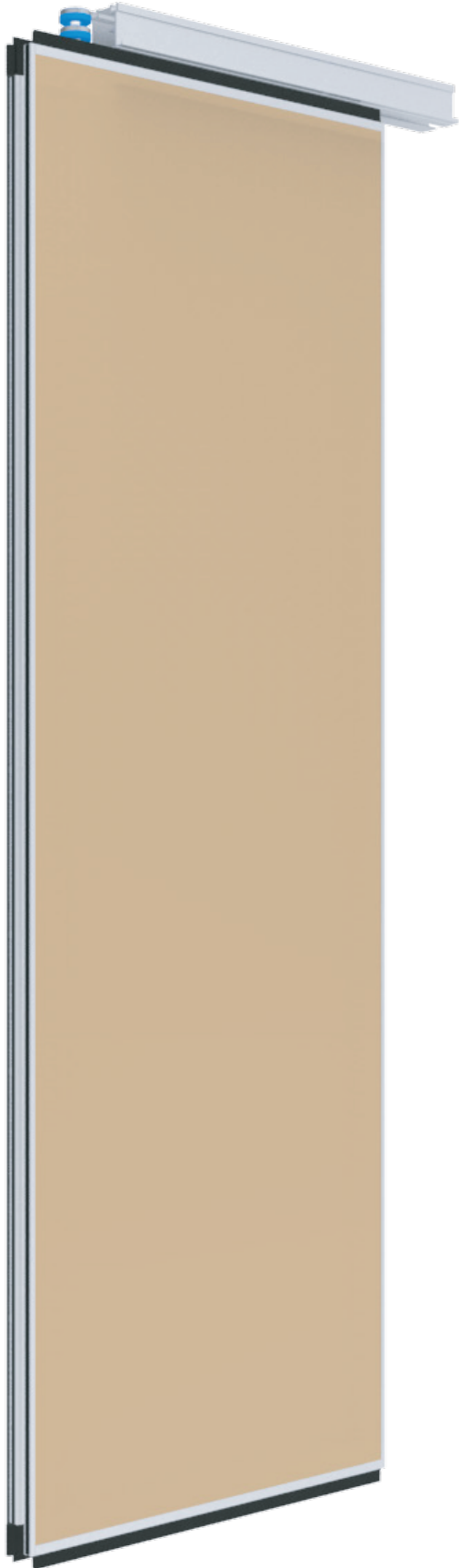


sandeipartitions

OPERABLE WALL





PANEL TYPE

SC 80 - STC 48

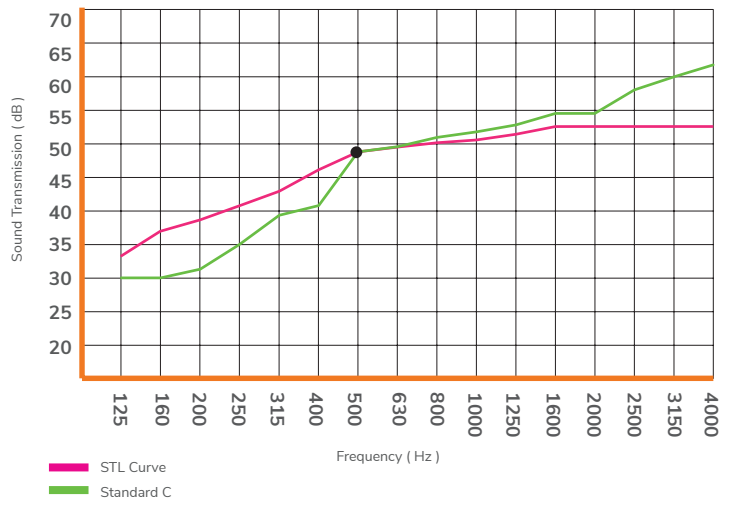
With height up to 5 meters, SC 80 meets standard requirement for meeting rooms, conference rooms, small function rooms, and small classrooms that need space flexibility.

Dengan ketinggian hingga 5 meter, SC 80 memenuhi standar kebutuhan untuk ruang meeting, ruang konferensi, ruang serba guna dan kelas kecil yang membutuhkan fleksibilitas ruang.

PANEL TYPE SC 80 - STC 48

Operation Methods	Maximum Size	
	Width	Height
Cross Type		
Ordinary	1200 mm	5000 mm
Parallel		
Induction		
Center Stacking 2 Runner		
R Type		
Parallel	1200 mm	5000 mm
Center Stacking 1 Runner	900 mm	3000 mm

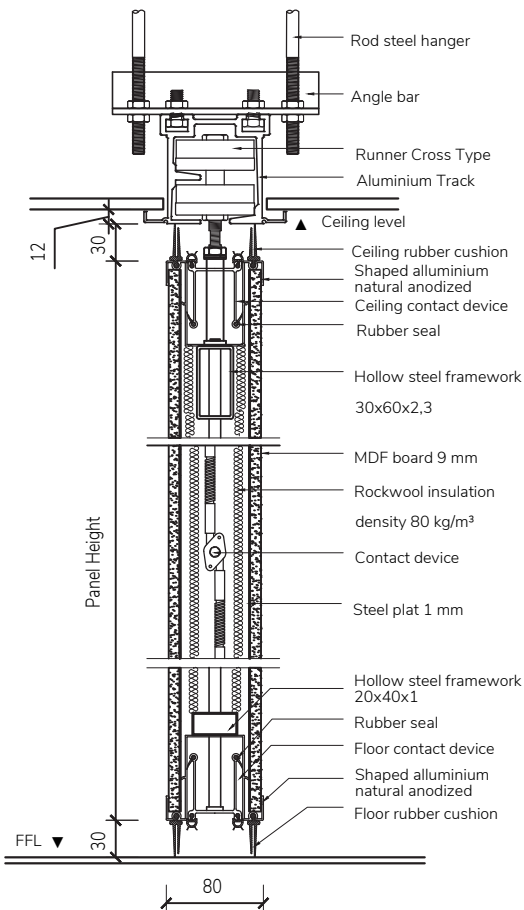
SOUND TRANSMISSION LOSS & STC RATING



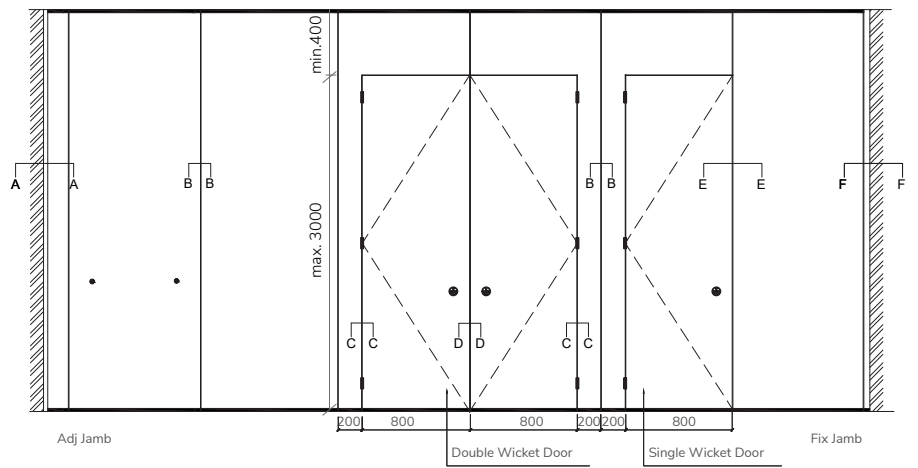
Weight Approximately : 38 kg/m²

SECTION DRAWING SC 80 - STC 48

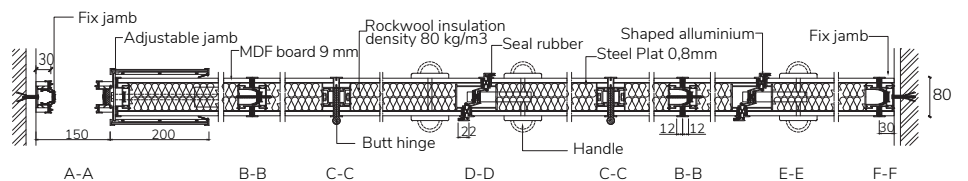
VERTICAL SECTION DRAWING



ELEVATION DRAWING

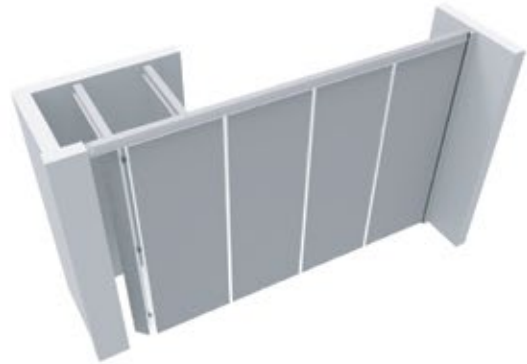


HORIZONTAL SECTION DRAWING

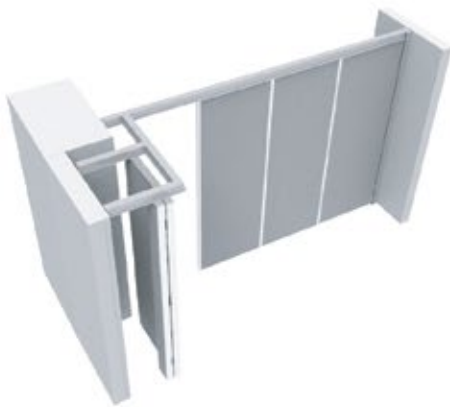




Ordinary Stacking



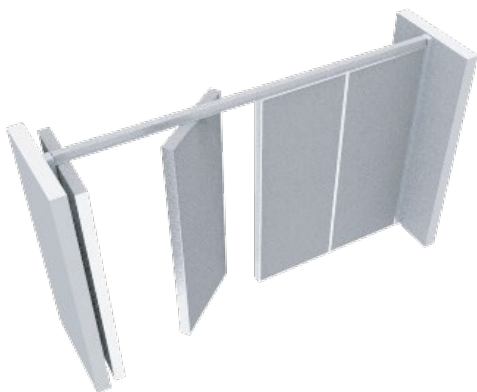
Parallel Stacking



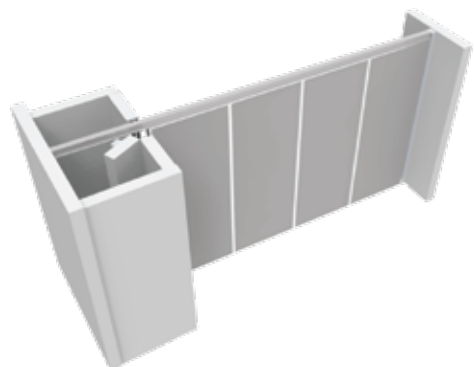
Induction Stacking



Center Stacking 2 Runners


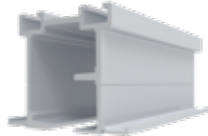




Center Stacking with 1 Runner





Center Stacking 1 Runner with Storage & Door

CROSS TYPE

RHF - 200 kg	<p>Rails Aluminium anodized H-base 3-5 thk</p> <p>Runner Base : MC Blue Bearing : $\varnothing 32$ - 2pcs H. Density PTSE - bearing cover : $\varnothing 51$ - 2pcs Hanger bolt : Steel $\varnothing 12$</p>		
--------------	-----------------------------------------------------------------------------------------------------------------------------------------------------------------------------------------------------------------------------------------------------------------------------------------	-------------------------------------------------------------------------------------	-------------------------------------------------------------------------------------

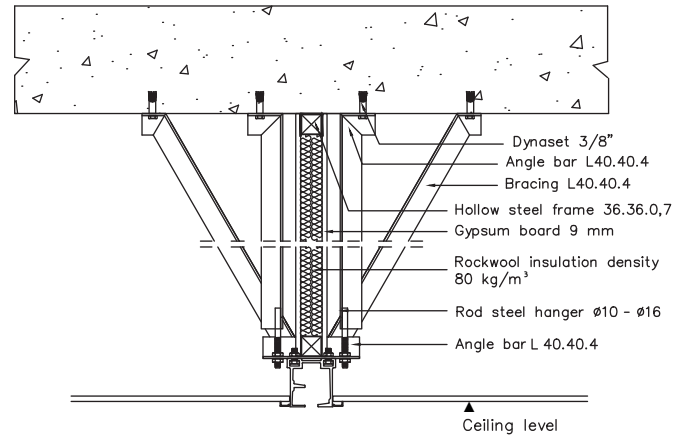
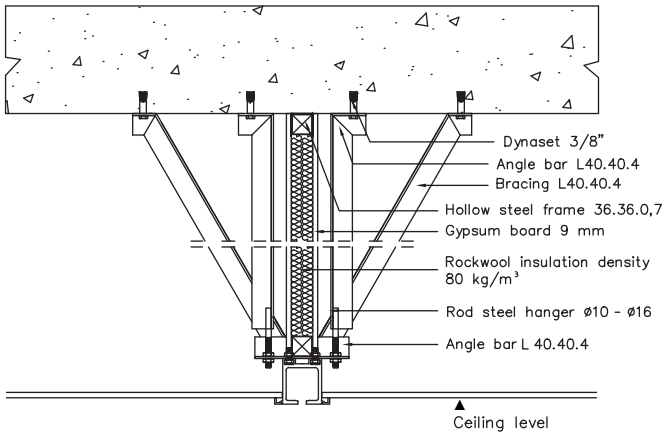
RHF - 300 kg	<p>Rails Aluminium anodized H-base 3-5 thk</p> <p>Runner Base : MC Blue Bearing : $\varnothing 40$ - 2pcs H. Density PTSE - bearing cover : $\varnothing 65$ - 2pcs Hanger bolt : Steel $\varnothing 14$</p>		
--------------	-----------------------------------------------------------------------------------------------------------------------------------------------------------------------------------------------------------------------------------------------------------------------------------------	---------------------------------------------------------------------------------------	---------------------------------------------------------------------------------------

R - TYPE

R-300 kg	<p>Rails Aluminium anodized H-base 6 thk</p> <p>Runner Base : Aluminium Bearing : $\varnothing 26$ - 4pcs $\varnothing 30$ - 4pcs Hanger bolt : Base Ring Steel $\varnothing 14$</p>		
----------	-----------------------------------------------------------------------------------------------------------------------------------------------------------------------------------------------------------------------------------------------------------	---------------------------------------------------------------------------------------	---------------------------------------------------------------------------------------

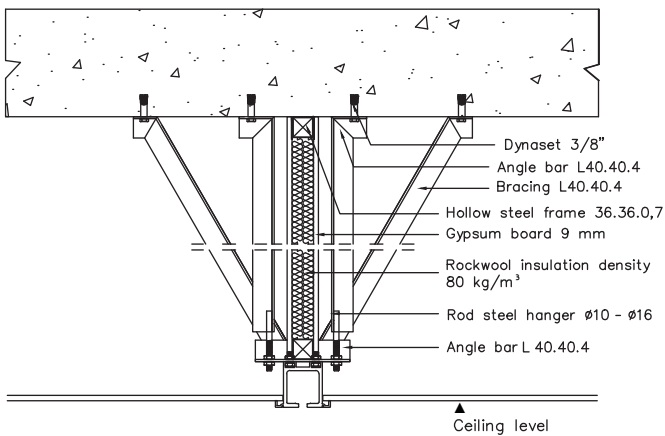
SOUND INSULATING ABOVE CEILING

SINGLE LAYER GYPSUM

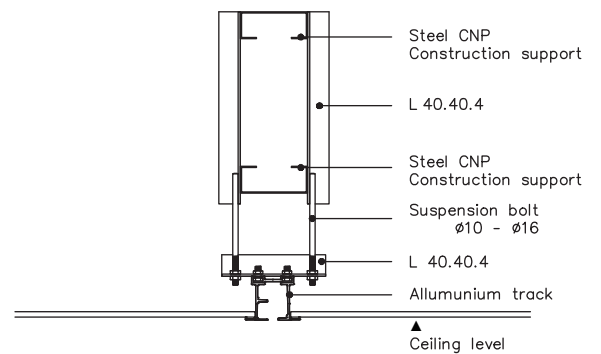


CONSTRUCTION SUPPORT

CONCRETE



NON CONCRETE



EXTRA FEATURE



Door Handle

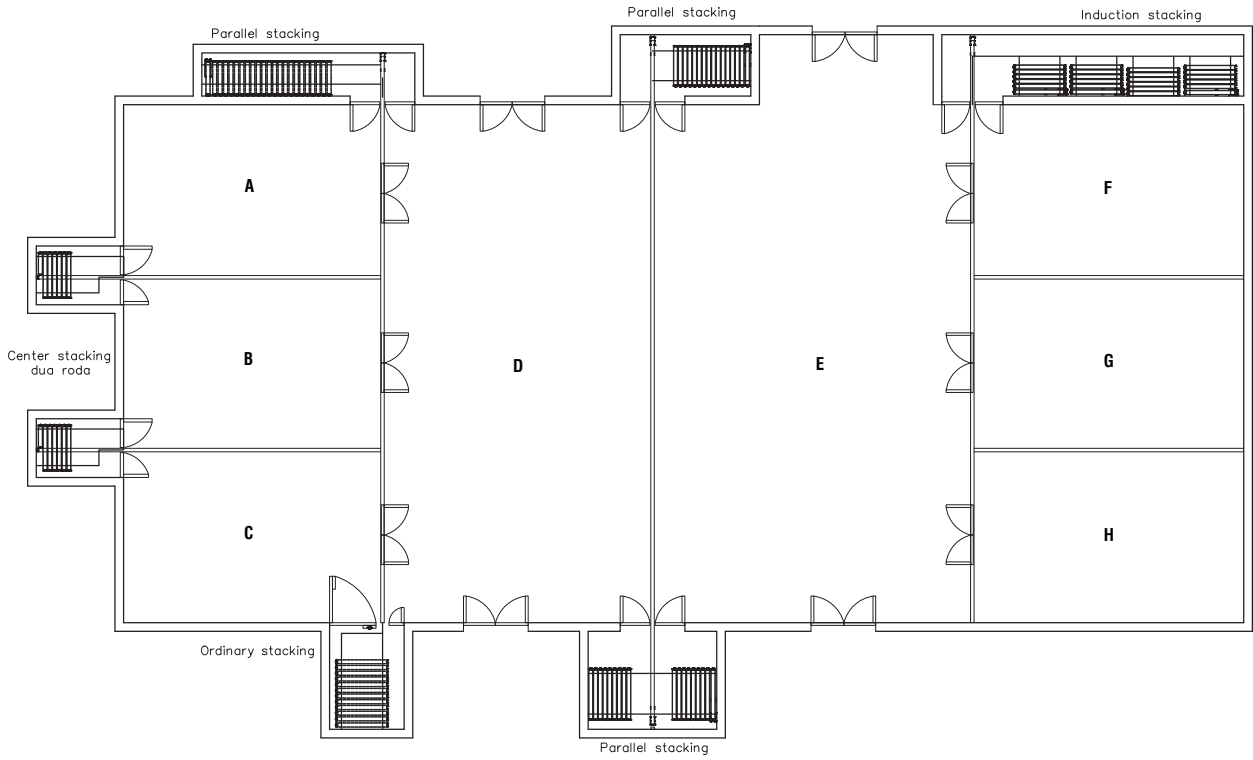


Crank Handle

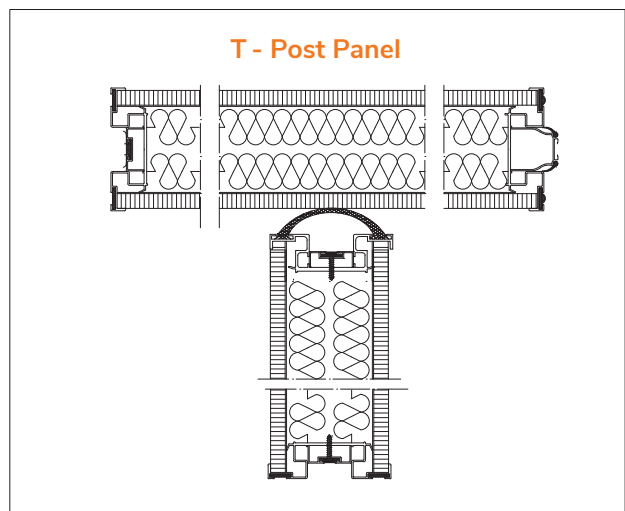
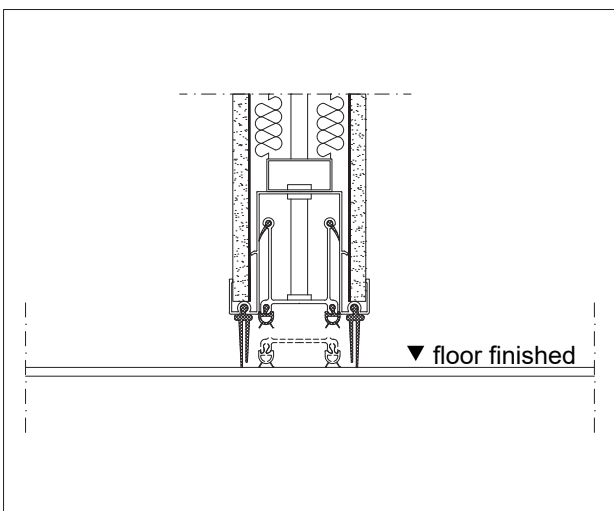
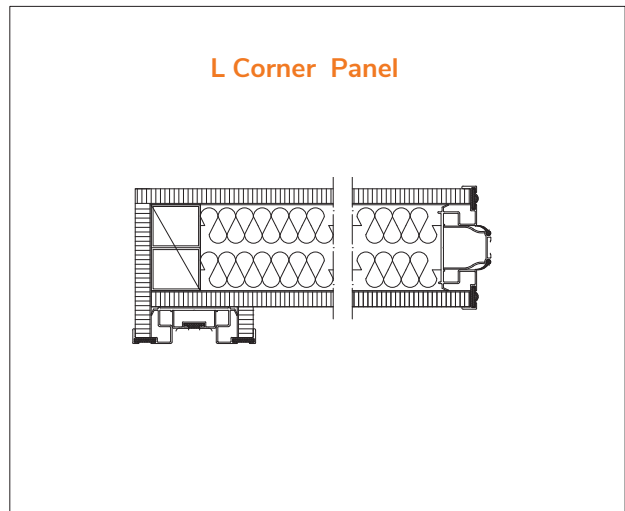
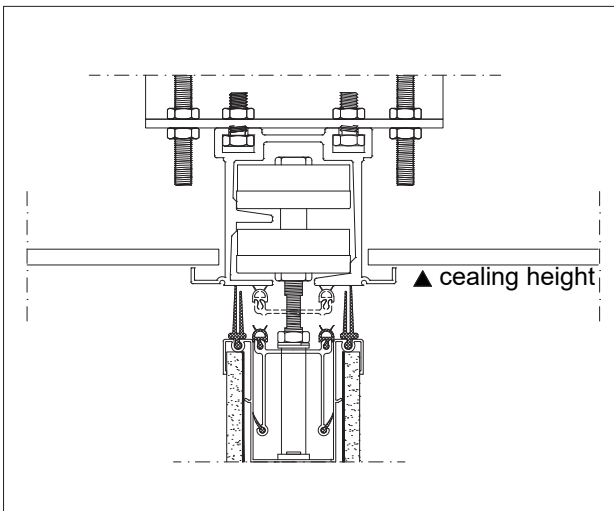


Crank Handle

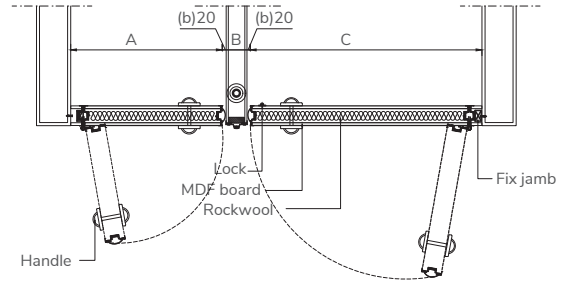
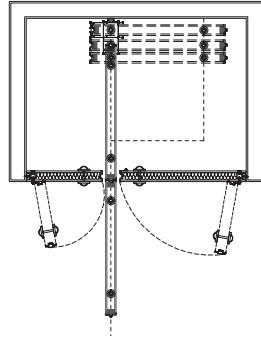
STACKING AREA OPTIONS



DETAIL

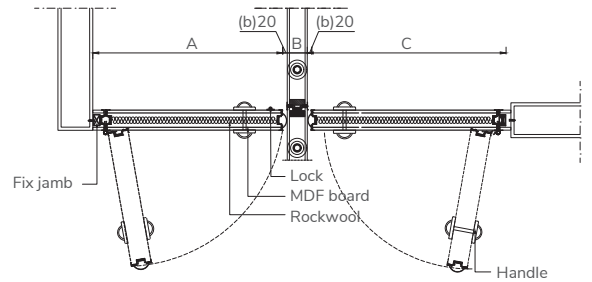
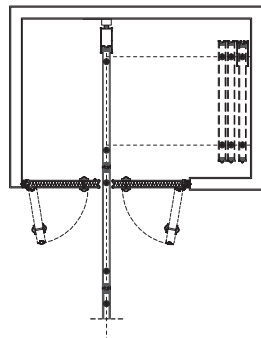


ORDINARY
STACKING



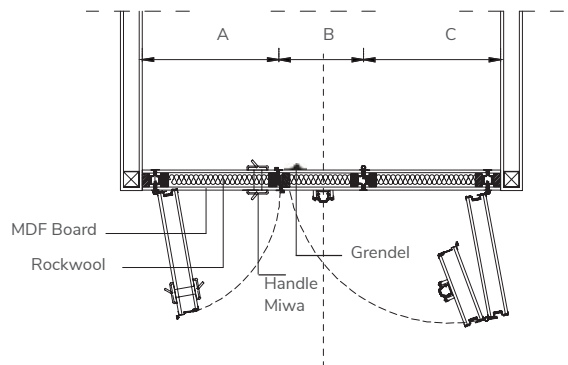
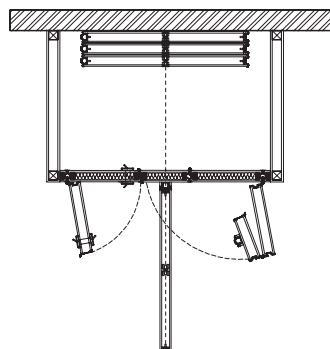
- $A \geq 300$
- $B = \text{Panel Thickness} + 40$
- $C \geq 300$

PARALLEL
STACKING



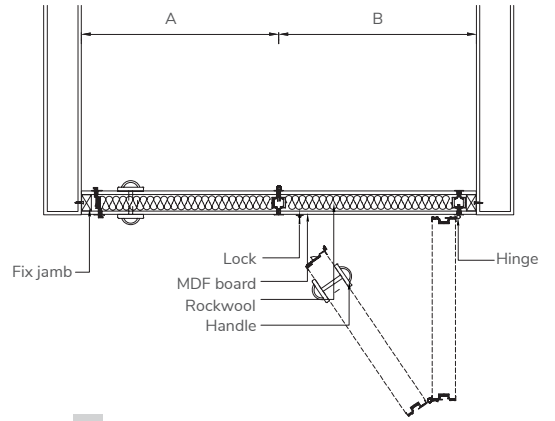
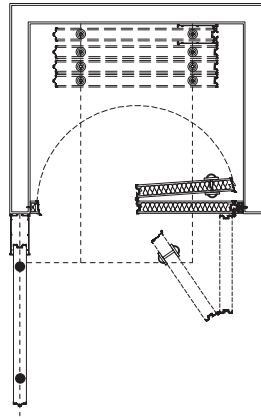
- $A \geq 300$
- $B = \text{Panel Thickness} + 40$
- $C \geq 300$

CENTER
STACKING



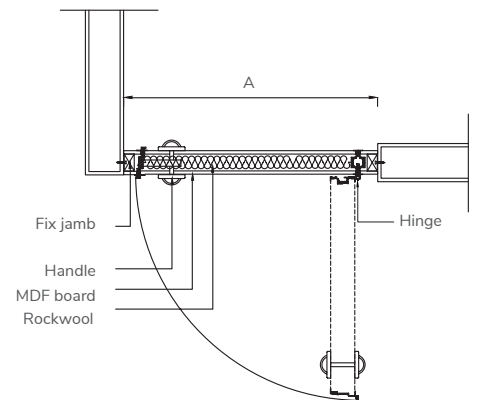
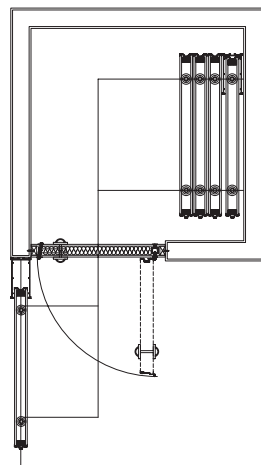
- $B = \text{Panel Thickness} + 40$
- $A \geq 300$
- $C \geq 300$

INDUCTION
STACKING A



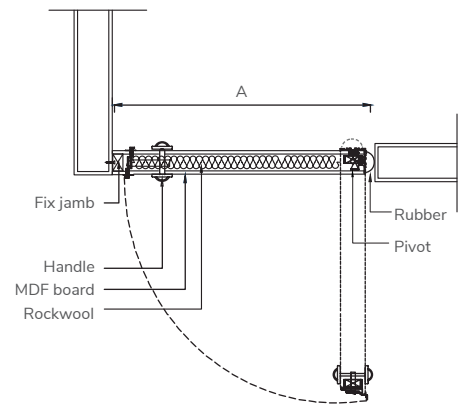
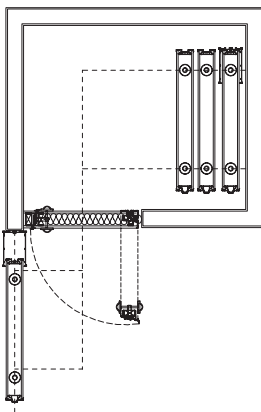
$A = B \geq 425$

INDUCTION
STACKING B
(HINGE STANDART)



$A \geq 800 \text{ max } 1200$

INDUCTION
STACKING B
(PIVOT HINGE)



$A \geq 800$







www.sandei.co.id

📷 sandei_official



Visit Our Website