

 sandeipartitions

OPERABLE WALL





PANEL TYPE

SC 110 S - STC 56

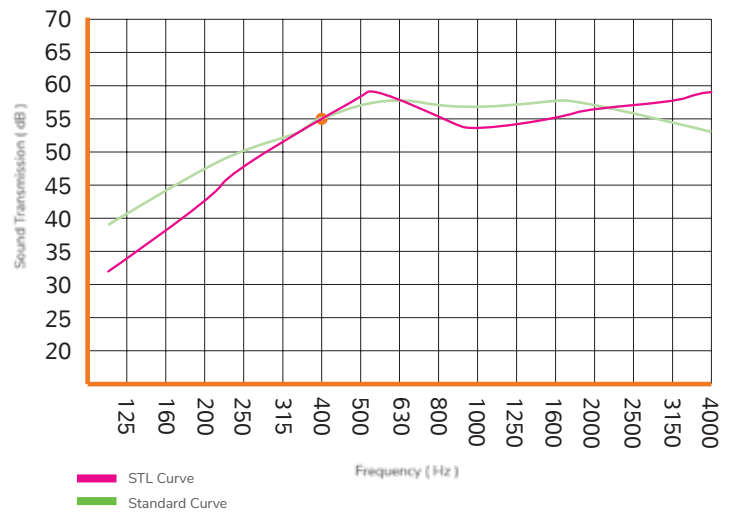
Durable, with maximum height up to 12 meters. SC 110 S offers the best sound reduction of all series. Suitable for large space such as banquet halls, ballrooms and big conference rooms.

Kekuatan, dengan ketinggian maksimal hingga 12 meter. SC 110 S menawarkan pengurangan suara terbaik dari semua tipe. Sesuai untuk ruangan yang besar seperti banquet halls, ballroom dan ruang konferensi besar.

PANEL TYPE SC 110 S - STC 56

Operation Methods	Maximum Size	
	Width	Height
Cross Type		
Ordinary	1200 mm	6000 mm
Parallel		
Induction		
Center Stacking 2 Runner		
R Type		
Parallel	1200 mm	12000 mm
Center Stacking 1 Runner	900 mm	3000 mm

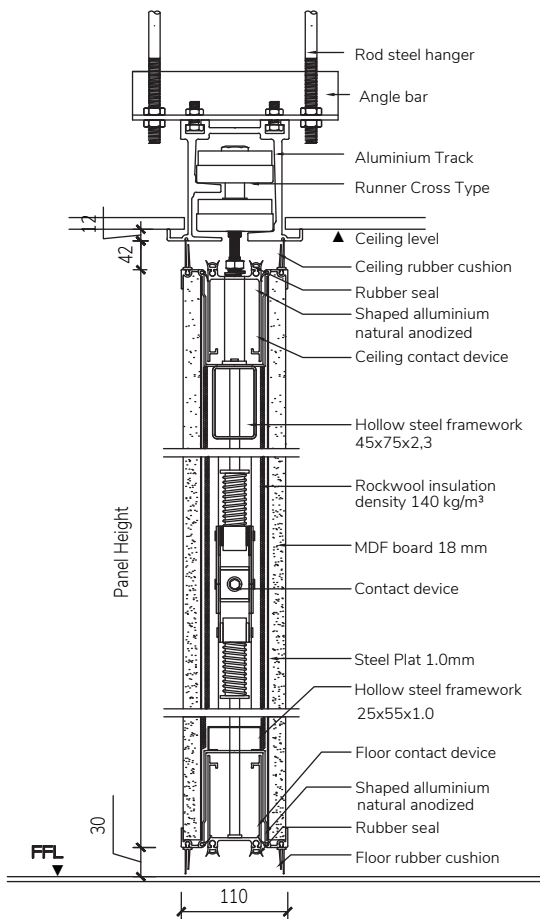
SOUND TRANSMISSION LOSS & STC RATING



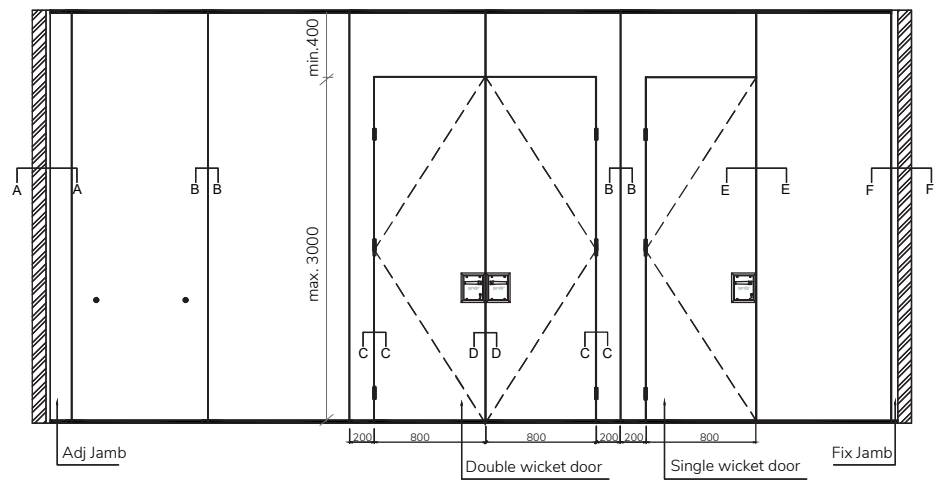
Weight Approximately : 56 kg/m²

SECTION DRAWING SC 110 S - STC 56

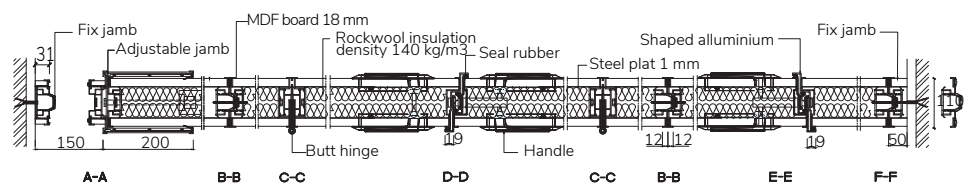
VERTICAL SECTION DRAWING



ELEVATION DRAWING



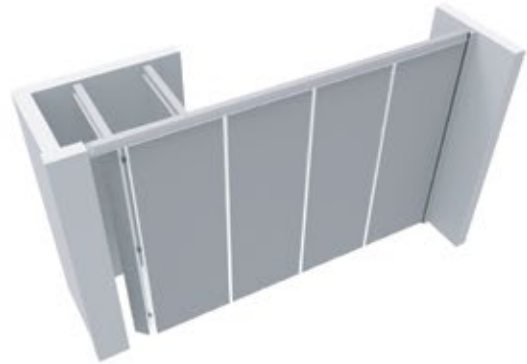
HORIZONTAL SECTION DRAWING



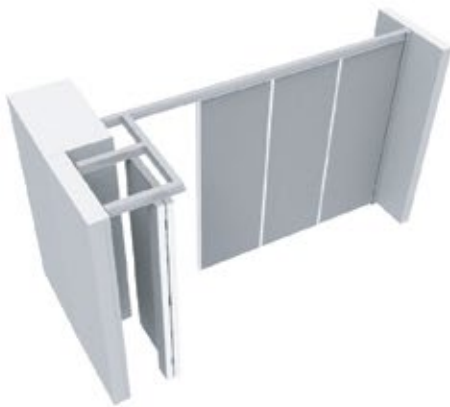
CROSS TYPE



Ordinary Stacking



Parallel Stacking

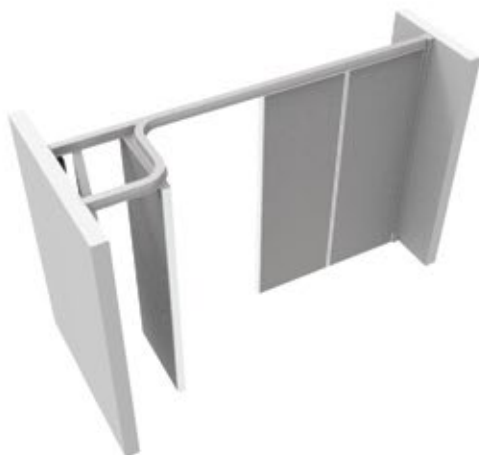


Induction Stacking

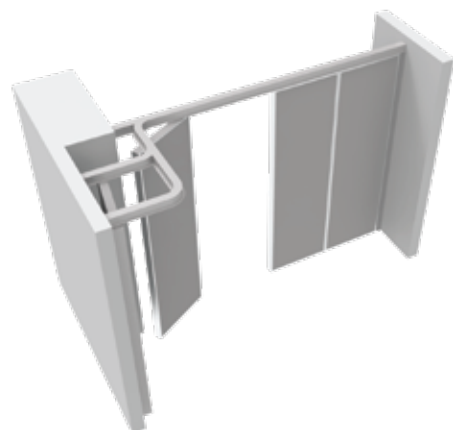


Center Stacking with 2 Runner

R-TYPE





Ordinary Stacking





Induction Stacking



CROSS TYPE

RHF - 300 kg	<p>Rails Aluminium anodized H-base 3-5 thk</p> <p>Runner Base : MC Blue Bearing : $\phi 40$ - 2pcs H. Density PTSE - bearing cover : $\phi 65$ - 2pcs Hanger bolt : Steel $\phi 14$</p>		
--------------	--	---	---

RHF - 400 kg	<p>Rails Aluminium anodized H-base 7-8 thk</p> <p>Runner Base : MC Blue Bearing : $\phi 47$ - 2pcs $\phi 52$ - 2pcs H. Density PTSE - bearing cover : $\phi 78$ - 2pcs Hanger bolt : Steel $\phi 16$</p>		
--------------	--	--	--

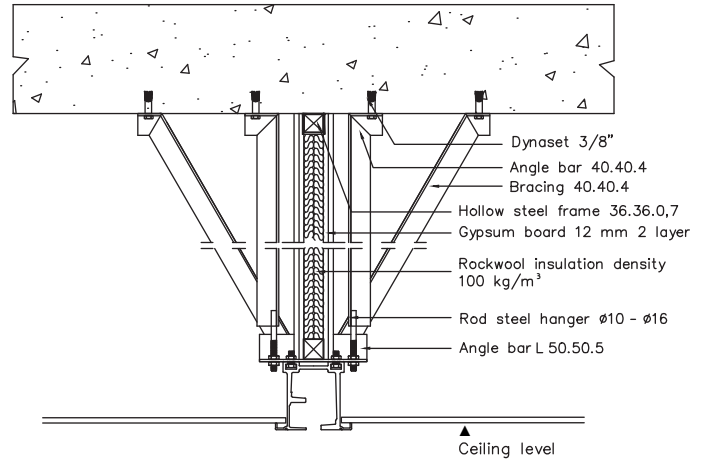
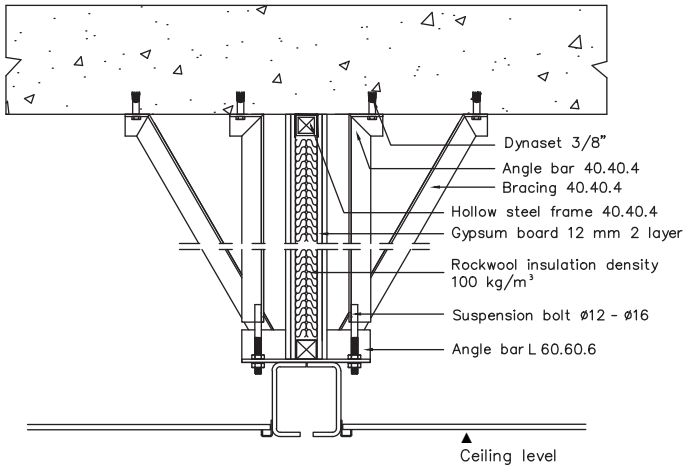
R-TYPE

R-300 kg	<p>Rails Aluminium anodized H-base 6 thk</p> <p>Runner Base : Aluminium Bearing : $\phi 26$ - 4pcs $\phi 30$ - 4pcs Hanger bolt : Base Ring Steel $\phi 14$</p>		
----------	--	---	---

R-800 kg	<p>Rails Steel (ST 45 8thk)</p> <p>Runner Base : Steel Bearing : $\phi 35$ - 4pcs $\phi 52$ - 4pcs Hanger bolt : Base Ring Steel $\phi 16$</p>		
----------	---	---	---

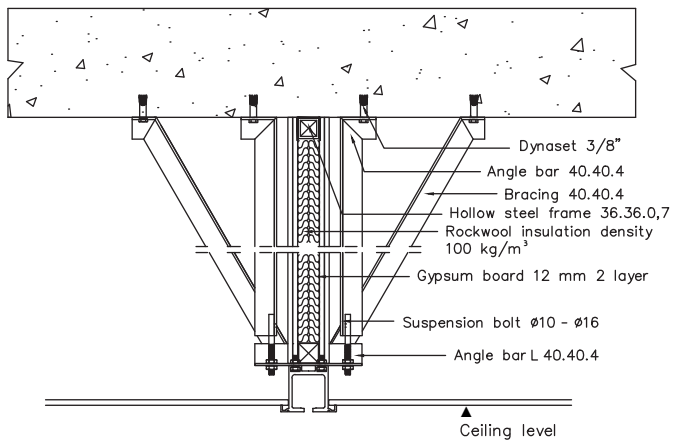
SOUND INSULATING ABOVE CEILING

DOUBLE LAYER GYPSUM

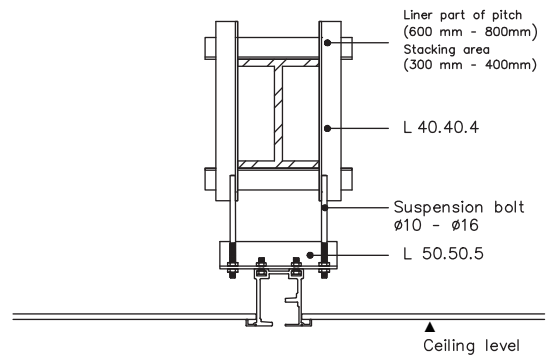


CONSTRUCTION SUPPORT

CONCRETE



NON CONCRETE



EXTRA FEATURE



Door Handle

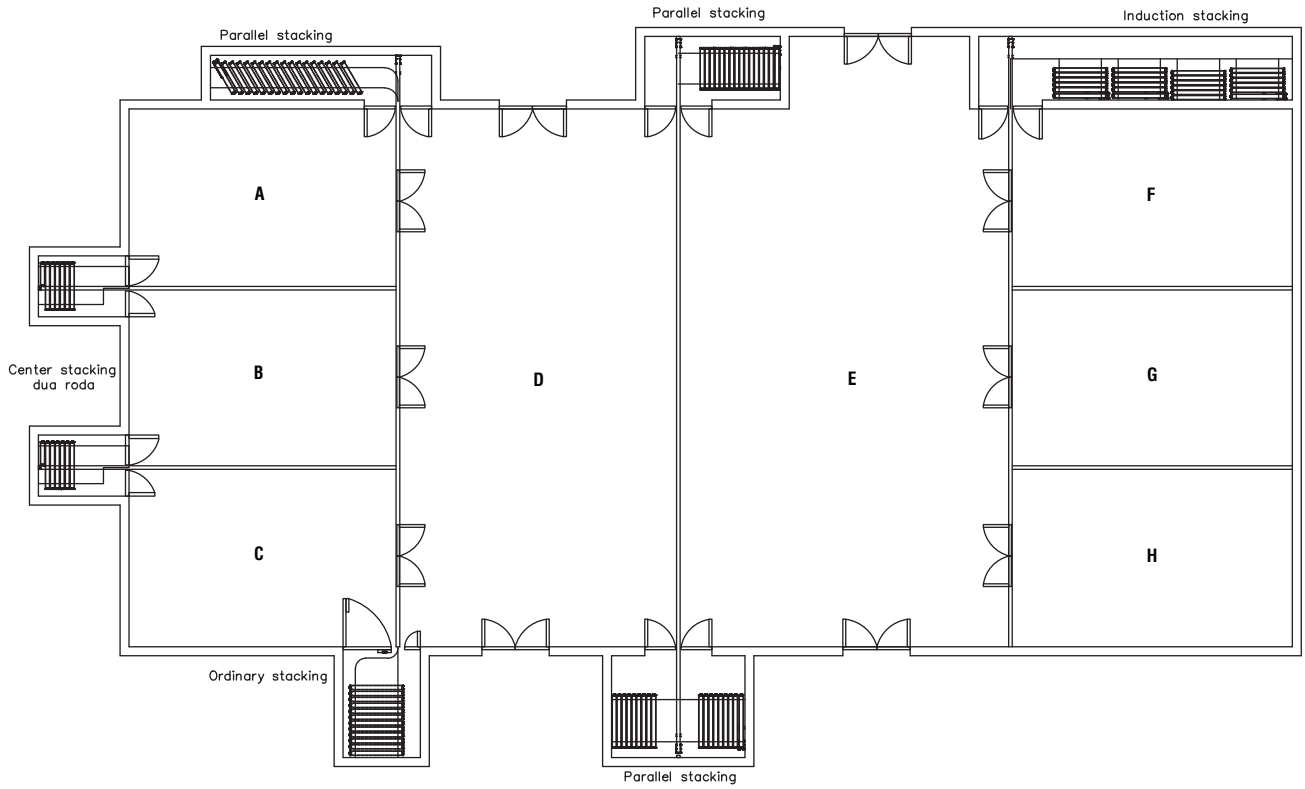


Crank Handle

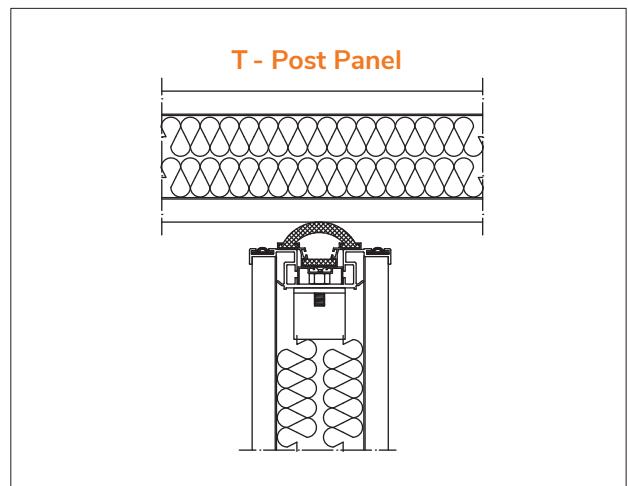
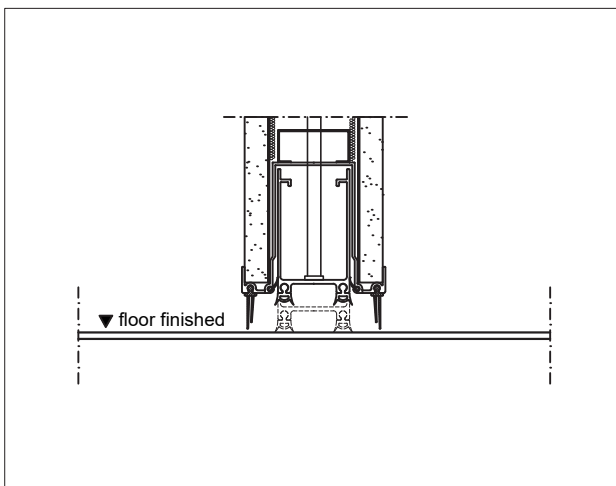
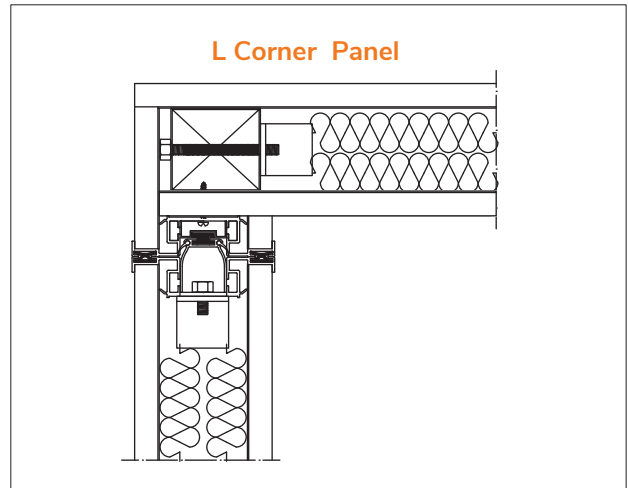
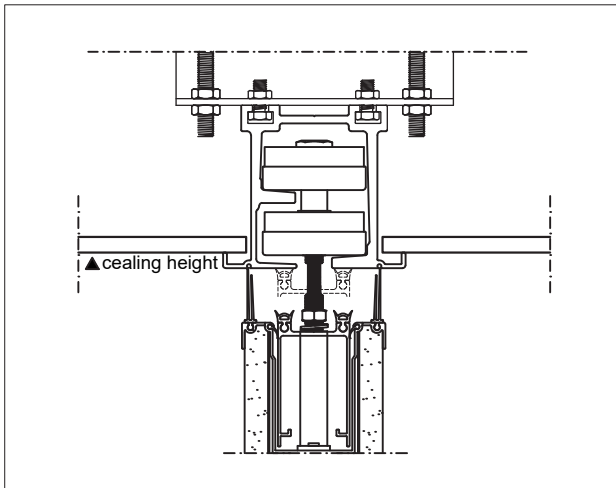


Crank Handle

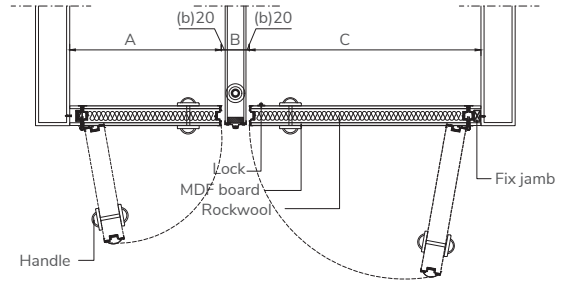
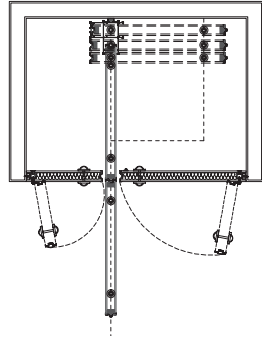
STACKING AREA OPTIONS



DETAIL

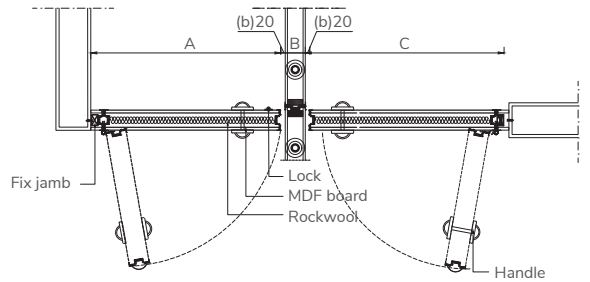
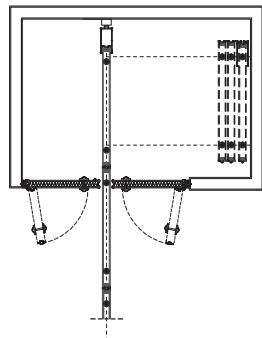


ORDINARY
STACKING



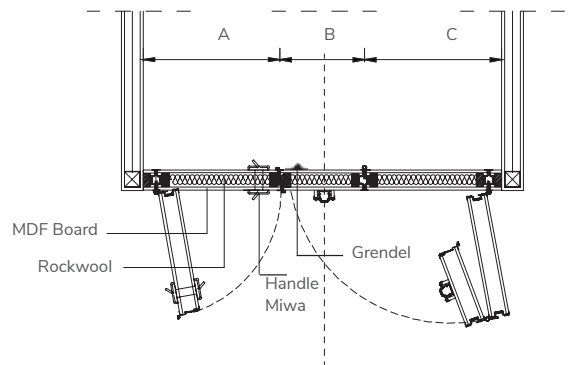
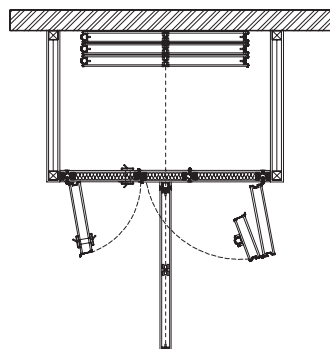
- $A \geq 300$
- $B = \text{Panel Thickness} + 40$
- $C \geq 300$

PARALLEL
STACKING



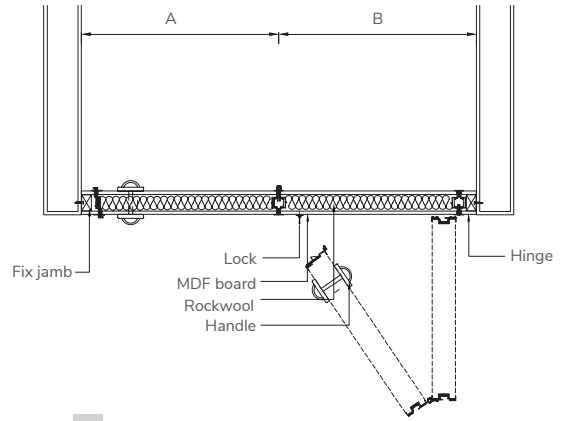
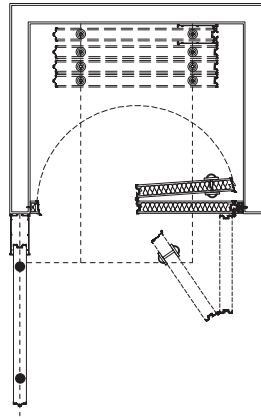
- $A \geq 300$
- $B = \text{Panel Thickness} + 40$
- $C \geq 300$

CENTER
STACKING



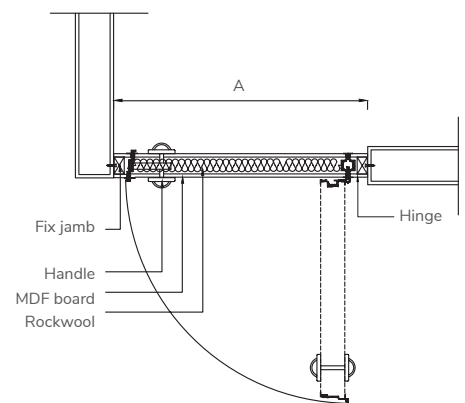
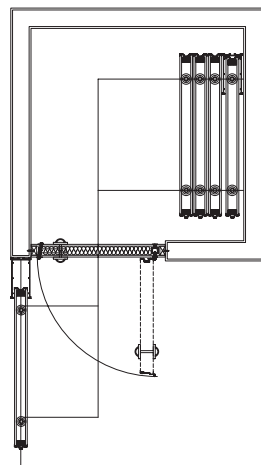
- $B = \text{Panel Thickness} + 40$
- $A \geq 300$
- $C \geq 300$

INDUCTION
STACKING A



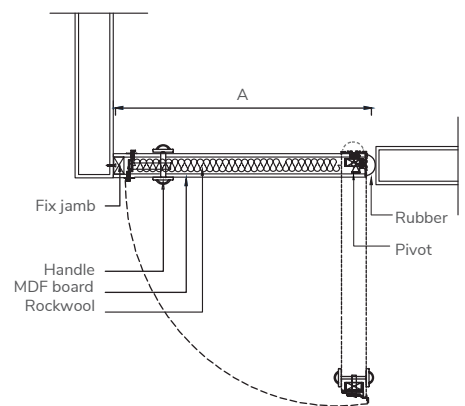
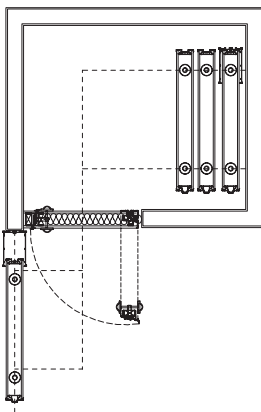
$A = B \geq 425$

INDUCTION
STACKING B
(HINGE STANDART)



$A \geq 800 \text{ max } 1200$

INDUCTION
STACKING B
(PIVOT HINGE)



$A \geq 800$







www.sandeipartition.com

📷 sandei_official



Visit Our Website